

# TELLERSCAN TS250 INSTALLATION

## Unboxing the TS250



Remove the power supply box and paperwork and set to the side.



Lay the box as shown above.



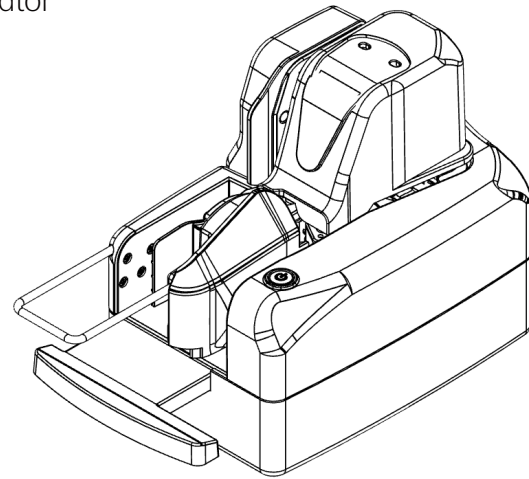
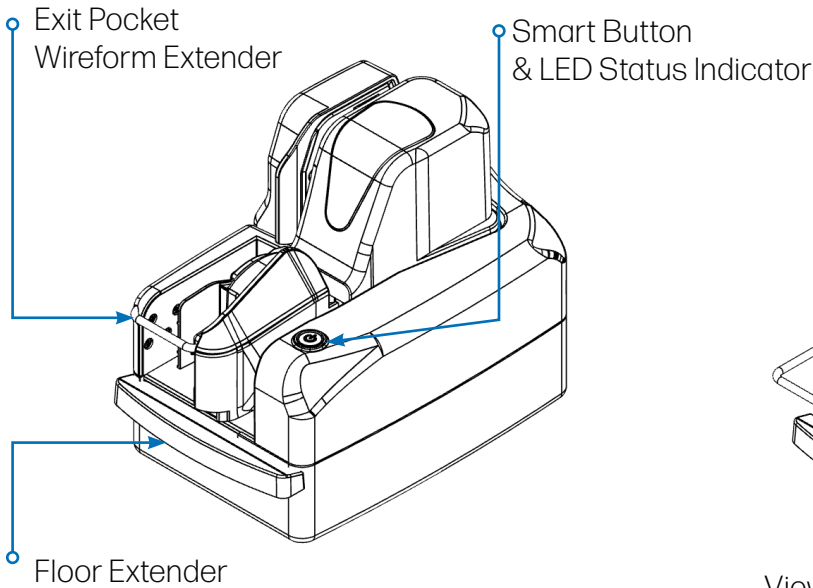
Pull all the remaining contents out of the box together.



Remove the top plastic insert to access the scanner. Grab the scanner from the rolled bag and from the bottom base and remove the tape and bag. (Blue Arrows)

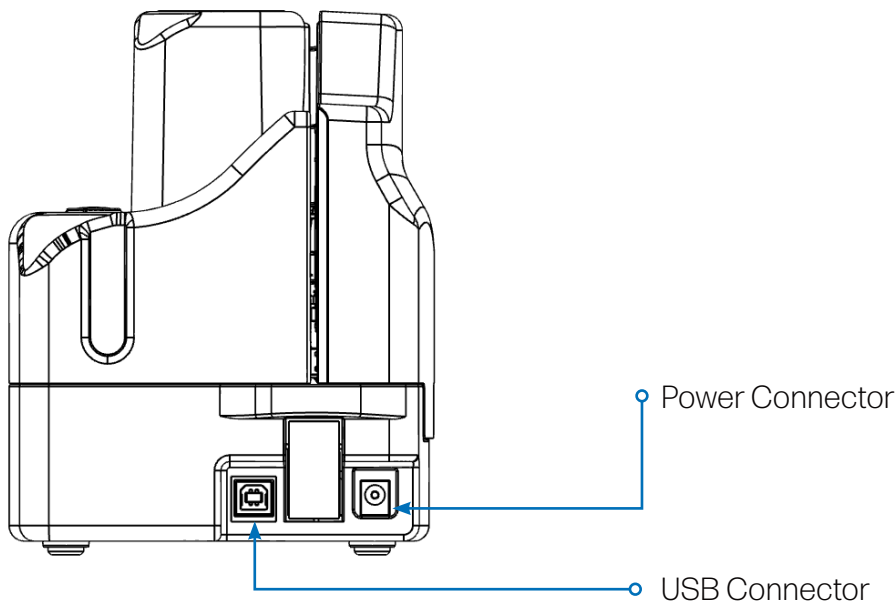
# TELLERSCAN TS250 FEATURES

## External View of the TellerScan TS250



View of TS250 with Extenders Pulled Out

## Rear View of the TellerScan TS250



# TELLERSCAN TS250 INITIAL SETUP

## New User Notice

**PLEASE NOTE:** Do not connect the USB cable from the scanner to your PC before installing the drivers or the scanning application / software. Digital Check does not provide scanning software. Please contact your bank or other solution provider for further assistance with installing the driver or getting the scanning software set up or installed.

Digital Check only provides an optional driver installation utility and testing software. See the Testing the Scanner section for additional information.

## Cable Connections and Scanner Placement

**Note:** Do not connect the USB cable from the scanner to your PC before installing the drivers or the scanning application / software.

- When handling the TS250, grip it with two hands on the front and back of the scanner.
- Place the unit on a flat surface near the PC and away from direct light sources such as spotlights or desk lamps. Place the scanner in a position that is at least 6 inches away from any power supply, other electronic devices, pneumatic tubes at the teller window, etc. to avoid magnetic interference with the MICR read head.
- Connect the power cord to the power supply, and then plug the connector into the rear power connection port on the scanner.
- Connect the USB cable by plugging it into the rear USB connection port.